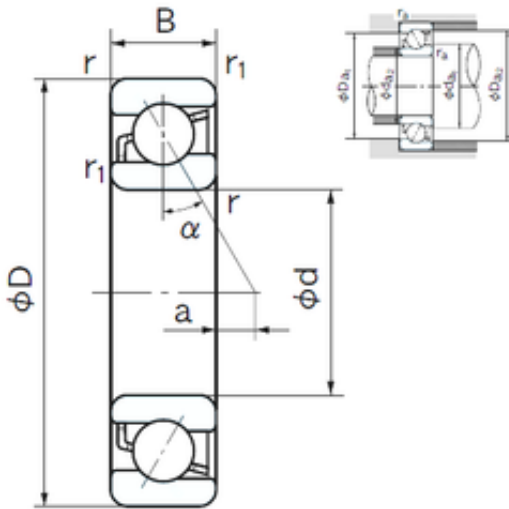




NTA PRECISION AXLE CORP.

10 mm x 35 mm x 11 mm NACHI 7300 angular contact ball bearings

Bearing No. 7300



7300 Bearing 2D drawings and 3D CAD models

Size	10x35x11 mm
Bore Diameter	10 mm
Outer Diameter	35 mm
Width	11 mm
d	10 mm
D	35 mm
B	11 mm
C	11 mm
Angle (°)	30 °
a	1.0 mm
r min.	0.6 mm
r1 min.	0.3 mm
da min.	15 mm
Da max.	30 mm
ra max.	0.6 mm
Weight	0.055 Kg
Basic dynamic load rating (C)	9,3 kN
Basic static load rating (C0)	4,3 kN
(Grease) Lubrication Speed	20000 r/min
Configuration	Single Row
Enclosure	Open
Bore Type	Cylindrical Bore
Bore Size	10 mm
Outside Diameter	35 mm
Width	11 mm



NTA PRECISION AXLE CORP.

Fillet Radius/Chamfer	0.6 mm
r1	0.3 mm
Dynamic Load Rating	9,300 N
Static Load Rating	4,300 N
Limiting Speed - Grease	20,000 rpm
Limiting Speed - Oil	26,000 rpm
da1 (min)	15 mm
da2 (min)	12 mm
Da1 (max)	30 mm
Da2 (max)	32.4 mm
ra (max)	0.6 mm
ra1 (max)	0.3 mm