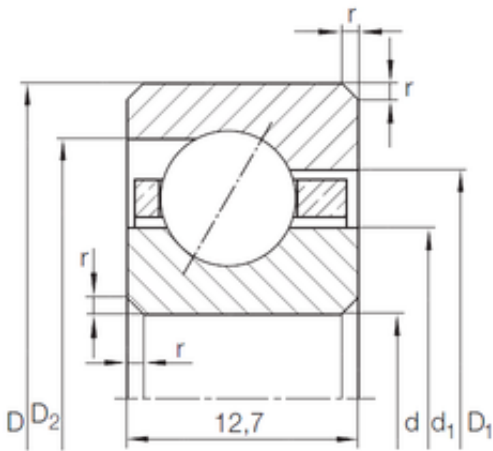




NTA PRECISION AXLE CORP.

254 mm x 279,4 mm x 12,7 mm INA CSED 1003) angular contact ball bearings



Bearing No. CSED 1003)

Size	254x279.4x12.7 mm
Bore Diameter	254 mm
Outer Diameter	279,4 mm
Width	12,7 mm
d	254 mm
D	279,4 mm
B	12,7 mm
C	12,7 mm
d1	263,4 mm
r min.	1,5 mm
D1	270 mm
D2	272,6 mm
Weight	0,85 Kg
Basic dynamic load rating (C)	17,7 kN
Basic static load rating (C0)	33,5 kN

CSED 1003) Bearing 2D drawings and 3D CAD models