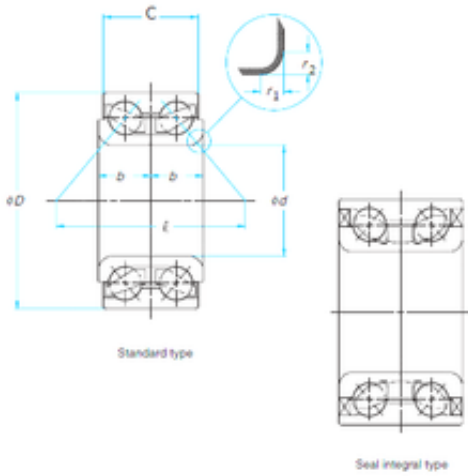




NTA PRECISION AXLE CORP.

42 mm x 75 mm x 37 mm CYSD DAC4275037
angular contact ball bearings



Bearing No. DAC4275037

Size	42x75x37 mm
Bore Diameter	42 mm
Outer Diameter	75 mm
Width	37 mm
d	42 mm
D	75 mm
B	37 mm
C	37 mm

DAC4275037 Bearing 2D drawings and 3D CAD models