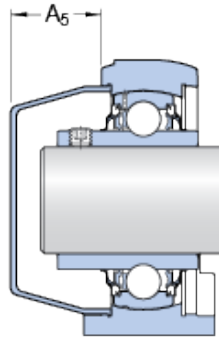
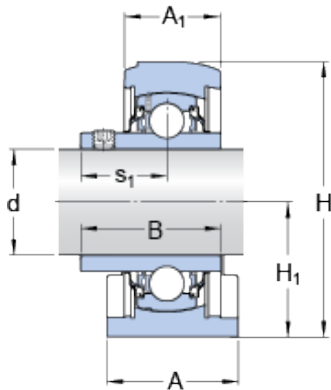




# NTA PRECISION AXLE CORP.



## SKF SYFWK 30 LTHR bearing units

Bearing No. SYFWK 30 LTHR

Size	30x43x28 mm
Bore Diameter	30 mm
Outer Diameter	43 mm
Width	28 mm
d	30 mm
A	43 mm
A <sub>1</sub>	28 mm
B	38.1 mm
H	84 mm
H <sub>1</sub>	42.9 mm
J	76.2 mm
L	101 mm
s <sub>1</sub>	22.2 mm
Basic dynamic load rating - C	16.3 kN
Basic static load rating - C <sub>0</sub>	11.2 kN
Fatigue load limit - P <sub>u</sub>	0.475 kN
Limiting speed	3800 r/min
Calculation factor - f <sub>0</sub>	14
Weight	0.52 kg
Size thread - G	M10
Thread length - G <sub>1</sub>	12 mm
Hexagonal key size for grub screw - H	3 mm
Recommended tightening torque for grub screw	4 N · m

SYFWK 30 LTHR Bearing 2D drawings and 3D CAD models



## NTA PRECISION AXLE CORP.

Housing	SYFWK 506 L
Bearing - YAR 206-2RFGR/HV	YAR 2062RFGR/HV
Category	Bearings
Inventory	0.0
Manufacturer Name	SKF
Minimum Buy Quantity	N/A
Weight / Kilogram	0
Product Group	M06110
Housing material	Composite for food and beverage
A <sub>1</sub>	28 mm
A <sub>5</sub>	27 mm
H <sub>1</sub>	42.9 mm
s <sub>1</sub>	22.2 mm
Basic dynamic load rating C	16.3 kN
Basic static load rating C <sub>0</sub>	11.2 kN
Fatigue load limit P <sub>u</sub>	0.475 kN
Mass bearing unit	0.52 kg
Thread size attachment end G	M10
Thread length G <sub>1</sub>	12 mm
Thread grub screw G <sub>2</sub>	M6x0.75
Hexagonal key size for grub screw N	3 mm