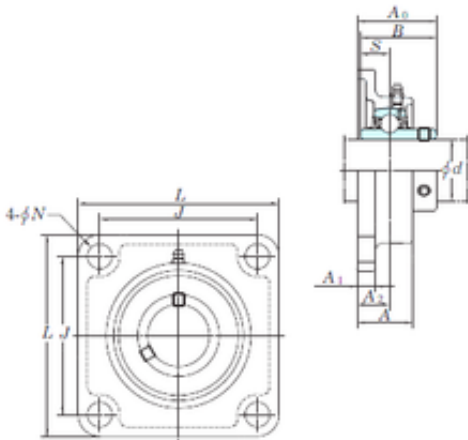




NTA PRECISION AXLE CORP.

KOYO UCSF207H1S6 bearing units

Bearing No. UCSF207H1S6



UCSF207H1S6 Bearing 2D drawings and 3D CAD models

Bore Diameter	35 mm
d	35 mm
A0	44,4 mm
A	34 mm
A1	11 mm
B	42,9 mm
J	92 mm
L	117 mm
N	14 mm
S	17,5 mm
Bolt (G)	M12
A2	19 mm
Weight	1,5 Kg
Basic dynamic load rating (C)	21,8 kN
Basic static load rating (C0)	12,3 kN