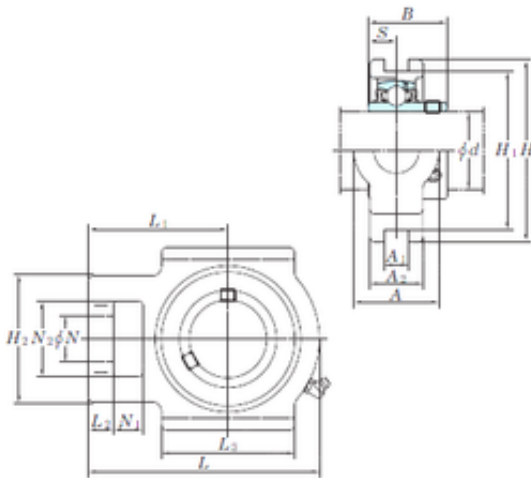




# NTA PRECISION AXLE CORP.

## KOYO UCT326 bearing units

Bearing No. UCT326



UCT326 Bearing 2D drawings and 3D CAD models

|                               |         |
|-------------------------------|---------|
| Bore Diameter                 | 130 mm  |
| d                             | 130 mm  |
| L2                            | 45 mm   |
| L3                            | 240 mm  |
| A                             | 150 mm  |
| A1                            | 50 mm   |
| B                             | 135 mm  |
| H                             | 385 mm  |
| H1                            | 350 mm  |
| H2                            | 220 mm  |
| L                             | 465 mm  |
| L1                            | 285 mm  |
| N                             | 75 mm   |
| N1                            | 65 mm   |
| S                             | 54 mm   |
| A2                            | 100 mm  |
| N2                            | 150 mm  |
| Weight                        | 69,3 Kg |
| Basic dynamic load rating (C) | 229 kN  |
| Basic static load rating (C0) | 214 kN  |
| Bearing No.                   | UCT326  |
| Cr                            | 229     |
| C0r                           | 214     |
| f0                            | 13.6    |
| (Refer.)Unit mass(kg)         | 69.3    |
| Nipple size                   | R1/8    |



# NTA PRECISION AXLE CORP.