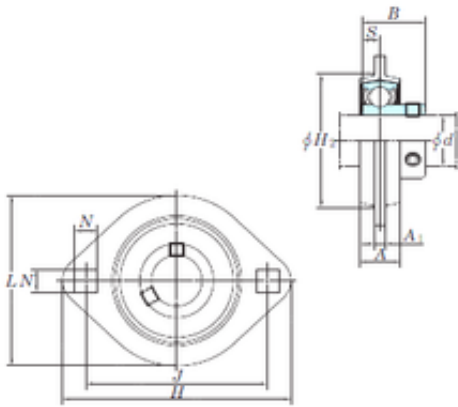




NTA PRECISION AXLE CORP.

KOYO SBPFL201 bearing units



Bearing No. SBPFL201

Bore Diameter	12 mm
Width	22 mm
d	12 mm
A	14 mm
A1	4 mm
B	22 mm
H	81 mm
H2	49 mm
J	63,5 mm
L	59 mm
N	7,1 mm
S	6 mm
Bolt (G)	M6
Weight	0,19 Kg
Basic dynamic load rating (C)	9,55 kN
Basic static load rating (C0)	4,8 kN
Bearing No.	SBPFL201
Bolt size	M6
Cr	9.55
C0r	4.80
f0	13.2
H1	-
(Refer.)Unit mass(kg)	0.19

SBPFL201 Bearing 2D drawings and 3D CAD models