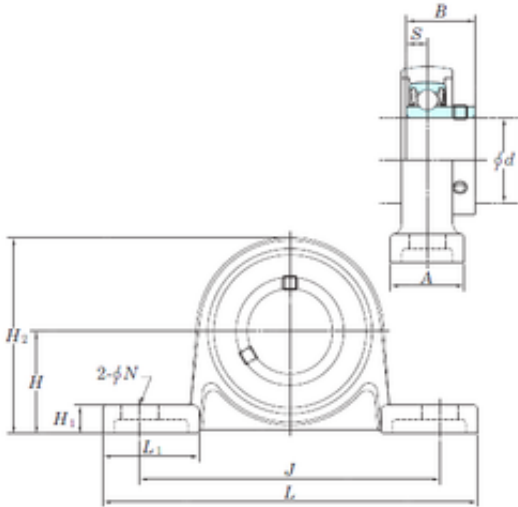




NTA PRECISION AXLE CORP.

KOYO USP006S6 bearing units

Bearing No. USP006S6



USP006S6 Bearing 2D drawings and 3D CAD models

Bore Diameter	30 mm
Width	24,5 mm
d	30 mm
A	26 mm
B	24,5 mm
H	36 mm
H1	10 mm
H2	69 mm
J	106 mm
L	132 mm
L1	34 mm
N	13 mm
S	7,5 mm
Bolt (G)	M10
Weight	0,43 Kg
Basic dynamic load rating (C)	13,2 kN
Basic static load rating (C0)	11,2 kN