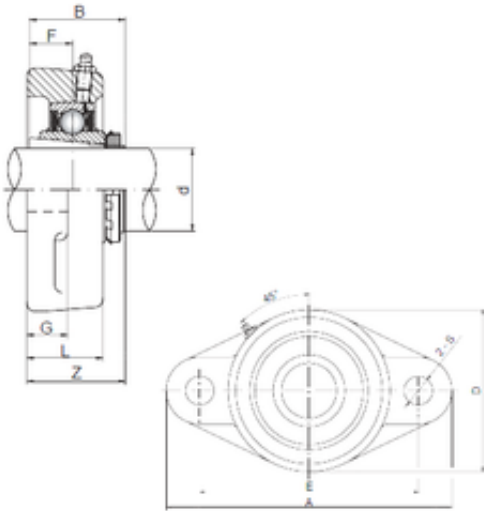




NTA PRECISION AXLE CORP.

75 mm x 190 mm x 82 mm ISO UKFL217
bearing units

Bearing No. UKFL217



UKFL217 Bearing 2D drawings and 3D CAD models

Bore Diameter	75 mm
Width	82 mm
d	75 mm
Z	77 mm
A	305 mm
B	82 mm
D	190 mm
E	248 mm
F	36 mm
G	24 mm
L	63 mm
S	25 mm
Bolt (G)	M22