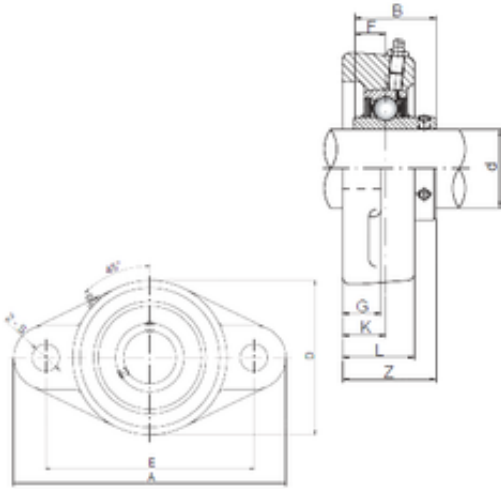




# NTA PRECISION AXLE CORP.

45 mm x 116 mm x 51,6 mm ISO UCFLX09 bearing units

Bearing No. UCFLX09



UCFLX09 Bearing 2D drawings and 3D CAD models

Bore Diameter	45 mm
d	45 mm
B	51,6 mm
Z	55,6 mm
A	189 mm
D	116 mm
E	157 mm
F	19 mm
G	16 mm
K	23 mm
L	40 mm
S	16 mm
Bolt (G)	M14