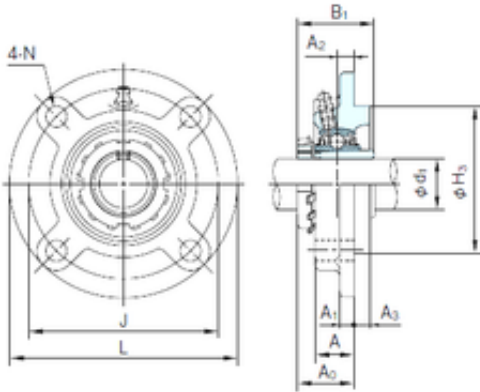




NTA PRECISION AXLE CORP.

NACHI UKFC216+H2316 bearing units



Bearing No. UKFC216+H2316

Bore Diameter	70 mm
d1	70 mm
H3	170 mm
A0	57 mm
A	42 mm
A1	18 mm
B1	78 mm
J	200 mm
L	240 mm
N	23 mm
Bolt (G)	M20
A2	18 mm
A3	16 mm

UKFC216+H2316 Bearing 2D drawings and 3D CAD models