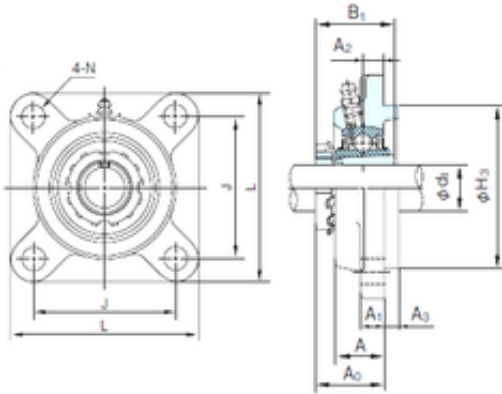




NTA PRECISION AXLE CORP.

NACHI UKFS316+H2316 bearing units



Bearing No. UKFS316+H2316

Bore Diameter	70 mm
d1	70 mm
H3	210 mm
A0	63.5 mm
A	48 mm
A1	27 mm
B1	78 mm
J	196 mm
L	250 mm
N	31 mm
Bolt (G)	M27
A2	18 mm
A3	20 mm

UKFS316+H2316 Bearing 2D drawings and 3D CAD models