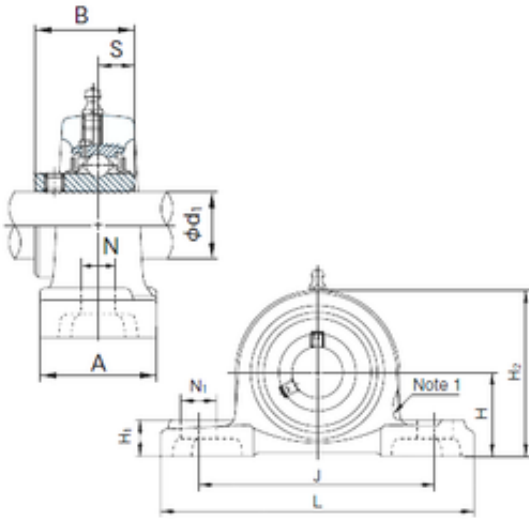




# NTA PRECISION AXLE CORP.

## NACHI UCPX14 bearing units

Bearing No. UCPX14



UCPX14 Bearing 2D drawings and 3D CAD models

|                      |          |
|----------------------|----------|
| Bore Diameter        | 70 mm    |
| Width                | 77.8 mm  |
| d                    | 70 mm    |
| A                    | 89 mm    |
| B                    | 77.8 mm  |
| H                    | 88.9 mm  |
| H1                   | 35 mm    |
| H2                   | 172 mm   |
| J                    | 229 mm   |
| L                    | 330 mm   |
| N                    | 27 mm    |
| N1                   | 51 mm    |
| S                    | 33.3 mm  |
| Bolt (G)             | M22      |
| Category             | Bearings |
| Inventory            | 0.0      |
| Manufacturer Name    | NACHI    |
| Minimum Buy Quantity | N/A      |
| Weight / Kilogram    | 0        |
| Product Group        | M06110   |