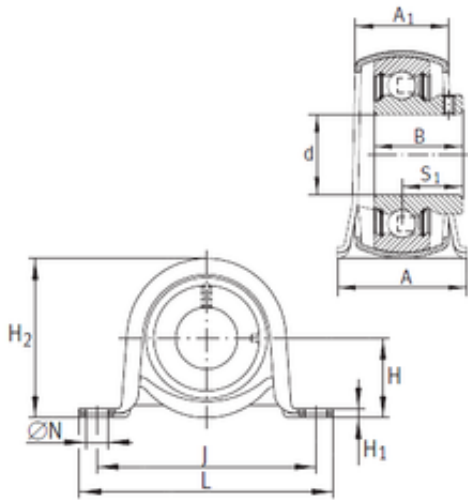




# NTA PRECISION AXLE CORP.



PB17 Bearing 2D drawings and 3D CAD models

## INA PB17 bearing units

Bearing No. PB17

Bore Diameter	17 mm
d	17 mm
S1	16 mm
A	25,4 mm
A1	18,4 mm
B	22 mm
H	22,2 mm
H1	2,6 mm
H2	43,2 mm
J	68 mm
L	85,7 mm
N	9,5 mm
Category	Pillow Block Bearings
Inventory	0.0
Manufacturer Name	SCHAEFFLER GROUP
Minimum Buy Quantity	N/A
Weight / Kilogram	0.15
Product Group	M06110
Number of Mounting Holes	2
Mounting Method	Set Screw
Housing Style	2 Bolt Pillow Block
Rolling Element	Ball Bearing
Housing Material	Stamped Steel
Expansion / Non-expansion	Non-expansion
Mounting Bolts	9.5 Millimeter
Relubricatable	No



## NTA PRECISION AXLE CORP.

Insert Part Number	AY17NPPB
Seals	Double Lip Contact
Housing Configuration	2 Piece Split
Inch - Metric	Metric
Other Features	Single Row   Corrotect Coating   With Grub Screw
Long Description	2 Bolt Pillow Block; 17MM Bore; 22.2MM Base to Center Height; Set Screw Mount; Ball Bearing; No Relubricatable; Stamped Steel; Double Lip Contact; Non-expansion
Category	Pillow Block
UNSPSC	31171511
Harmonized Tariff Code	8483.20.40.40
Noun	Bearing
Keyword String	Pillow Block
Manufacturer URL	<a href="http://www.ina.com">http://www.ina.com</a>
Manufacturer Item Number	PBY17
Weight / LBS	0.331
Nominal Bolt Center to Center	2.7 Inch   68 Millimeter
Bolt Spacing Minimum	0 Inch   0Millimeter
Base to Center Height	0.874 Inch   22.2 Millimeter
Length Thru Bore	0.866 Inch   22 Millimeter
Bore	0.669 Inch   17 Millimeter
Bolt Spacing Maximum	0 Inch   0Millimeter
Actual Bolt Center to Center	2.7 Inch   68Millimeter