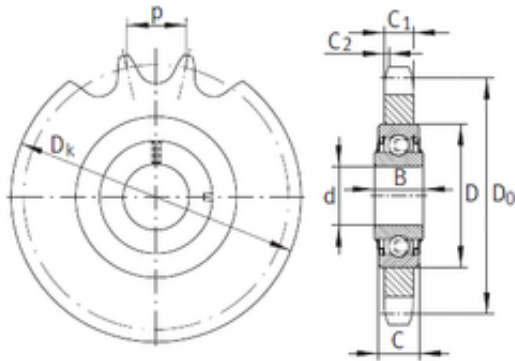




NTA PRECISION AXLE CORP.

20 mm x 47 mm x 17,7 mm INA KSR20-L0-16-10-12-15 bearing units



Bearing No. KSR20-L0-16-10-12-15

Size	20x47x17.7 mm
Bore Diameter	20 mm
Outer Diameter	47 mm
Width	17,7 mm
d	20 mm
D	47 mm
B	17,7 mm
Number of teeth	12
Do	98,1 mm
Dk	107,6 mm
C	14 mm
C1	15,3 mm
C2	2 mm
Weight	0,7 Kg
1	DIN 8187

KSR20-L0-16-10-12-15 Bearing 2D drawings and 3D CAD models