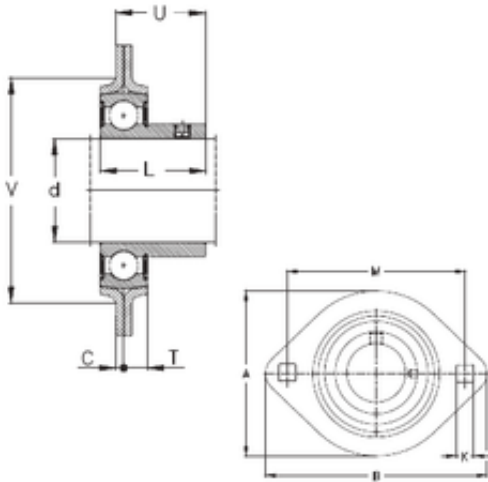




# NTA PRECISION AXLE CORP.

## NKE RATY17 bearing units

Bearing No. RATY17



Bore Diameter	17 mm
d	17 mm
V	48 mm
U	18 mm
A	58,7 mm
B	81 mm
C	2 mm
K	7,1 mm
L	22 mm
M	63,5 mm
T	7 mm

RATY17 Bearing 2D drawings and 3D CAD models