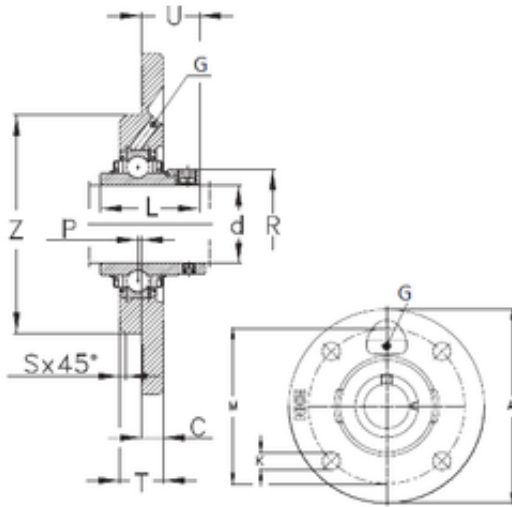




NTA PRECISION AXLE CORP.



NKE RME90 bearing units

Bearing No. RME90

Bore Diameter	90 mm
d	90 mm
P -	4
U	50,5 mm
K	23 mm
Z	190 mm
A	265 mm
C	20 mm
L	69,5 mm
M	220 mm
R	118 mm
S	3 mm
T	32 mm
Thread (G)	R1/8 "

RME90 Bearing 2D drawings and 3D CAD models