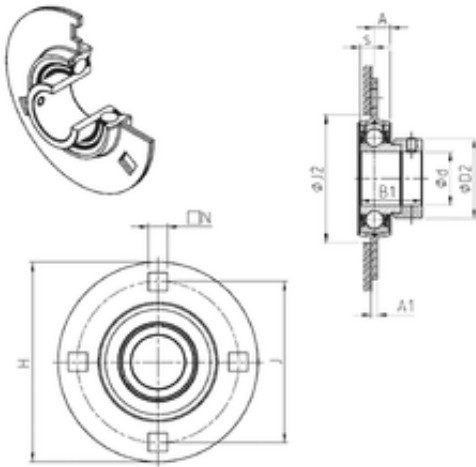




NTA PRECISION AXLE CORP.



SNR ESPF212 bearing units

Bearing No. ESPF212

| | |
|---|----------|
| Bore Diameter | 60 mm |
| d | 60 mm |
| s | 12 mm |
| A | 11,9 mm |
| A1 | 8 mm |
| B1 | 49,3 mm |
| D2 | 84,2 mm |
| H | 176,2 mm |
| N | 13,5 mm |
| J1 | 147,6 mm |
| J2 | 122 mm |
| Weight | 2,3 Kg |
| Basic dynamic load rating (C) | 52,5 kN |
| B | 33.4 mm |
| A2 | 37.3 mm |
| d1 | 82 mm |
| J | 147.6 mm |
| s1 | 39 mm |
| S | 12 mm |
| C | 52.5 kN |
| C0 | 32.8 kN |
| T min. | -20 ° C |
| T max. | 100 ° C |
| Recommended tightening torque for set screw | 22 Nm |
| Designation of housing | PF212- |

ESPF212 Bearing 2D drawings and 3D CAD models



NTA PRECISION AXLE CORP.

| |
|------------------------|
| Designation of bearing |
|------------------------|

| |
|---------|
| ES212G2 |
|---------|