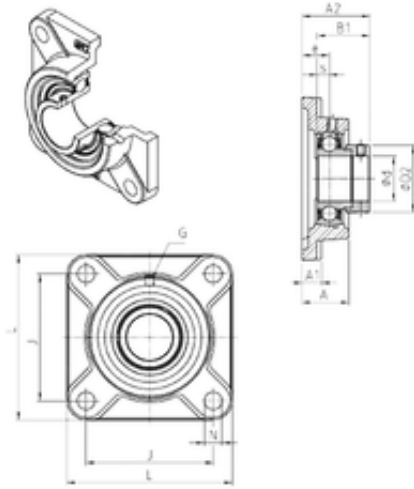




NTA PRECISION AXLE CORP.



SNR ESF204 bearing units

Bearing No. ESF204

Bore Diameter	20 mm
d	20 mm
e	15 mm
s	7,5 mm
A	25,5 mm
A1	11 mm
B1	30,9 mm
D2	33,3 mm
J	64 mm
L	86 mm
N	12 mm
Thread (G)	M6x1
A2	38,4 mm
Weight	0,6 Kg
Basic dynamic load rating (C)	12,8 kN

ESF204 Bearing 2D drawings and 3D CAD models