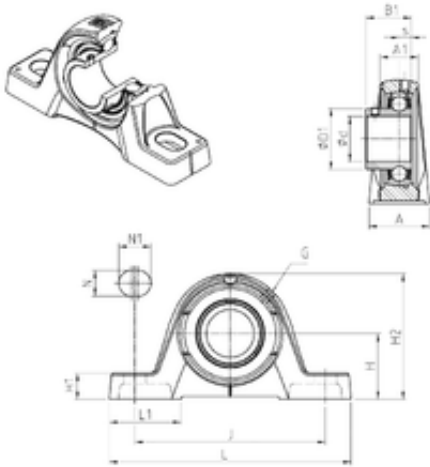




NTA PRECISION AXLE CORP.

SNR USPE204 bearing units

Bearing No. USPE204



USPE204 Bearing 2D drawings and 3D CAD models

Bore Diameter	20 mm
d	20 mm
s	7 mm
A	32 mm
A1	19 mm
B1	25 mm
D1	29 mm
H	33,3 mm
H1	14,5 mm
H2	64 mm
J	97 mm
L	130 mm
L1	40 mm
N	11 mm
N1	19 mm
Thread (G)	R1/8"
Weight	0,5 Kg
Basic dynamic load rating (C)	12,8 kN