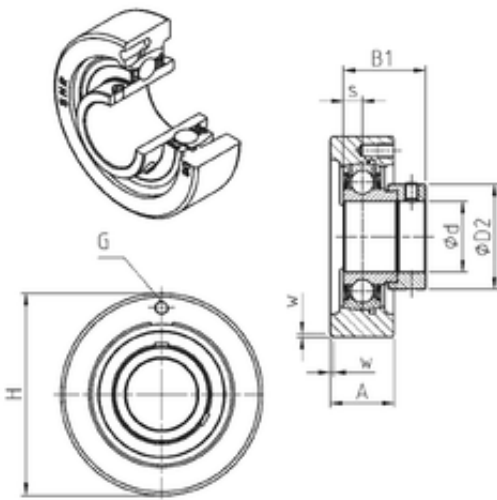




# NTA PRECISION AXLE CORP.

## SNR ESC201 bearing units

Bearing No. ESC201



ESC201 Bearing 2D drawings and 3D CAD models

Bore Diameter	12 mm
d	12 mm
s	6,5 mm
A	20 mm
B1	28,6 mm
D2	28,6 mm
H	67 mm
W	1,5 mm
Thread (G)	M6x1
Weight	0,4 Kg
Basic dynamic load rating (C)	9,55 kN
B	19 mm
A3	1.5 mm
A5	12.5 mm
d1	27.2 mm
G	M6x1
s1	23 mm
S	6.5 mm
SW	3 mm
C	9.55 kN
C0	4.78 kN
T min.	-20 ° C
T max.	100 ° C
Recommended tightening torque for set screw	5.5 Nm
Designation of housing	C203-



# NTA PRECISION AXLE CORP.

Designation of bearing	ES201G2
------------------------	---------