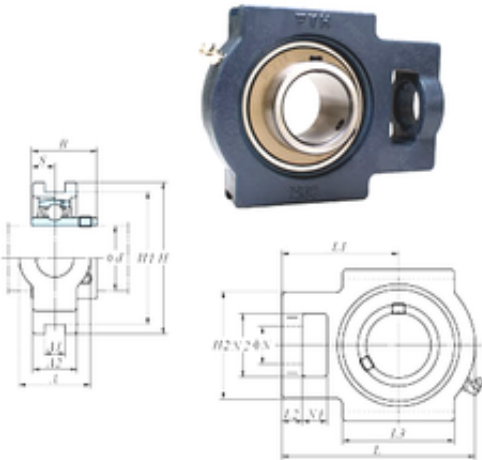




NTA PRECISION AXLE CORP.

FYH UCT309-28 bearing units



Bearing No. UCT309-28

Bore Diameter	44,45 mm
d	44,45 mm
L2	18 mm
L3	97 mm
A	55 mm
A1	18 mm
B	57 mm
H	138 mm
H1	125 mm
H2	90 mm
L	178 mm
L1	110 mm
N	34 mm
N1	24 mm
S	22 mm
A2	38 mm
N2	55 mm
Weight	4,1 Kg
Basic dynamic load rating (C)	48,9 kN
Basic static load rating (C0)	29,5 kN

UCT309-28 Bearing 2D drawings and 3D CAD models