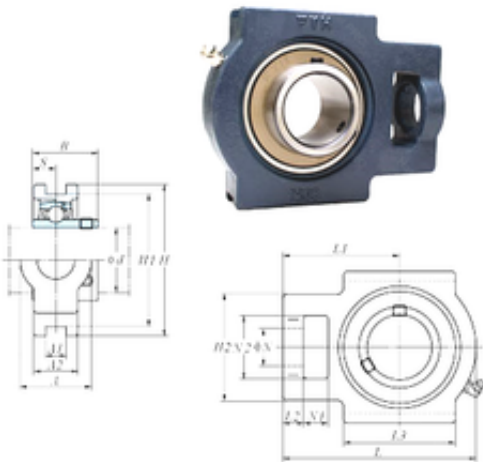




NTA PRECISION AXLE CORP.

FYH UCT207-21 bearing units



Bearing No. UCT207-21

Bore Diameter	33,3375 mm
d	33,3375 mm
L2	13 mm
L3	64 mm
A	37 mm
A1	12 mm
B	42,9 mm
H	102 mm
H1	89 mm
H2	64 mm
L	129 mm
L1	78 mm
N	22 mm
N1	16 mm
S	17,5 mm
A2	30 mm
N2	37 mm
Weight	1,6 Kg
Basic dynamic load rating (C)	25,7 kN
Basic static load rating (C0)	15,4 kN

UCT207-21 Bearing 2D drawings and 3D CAD models