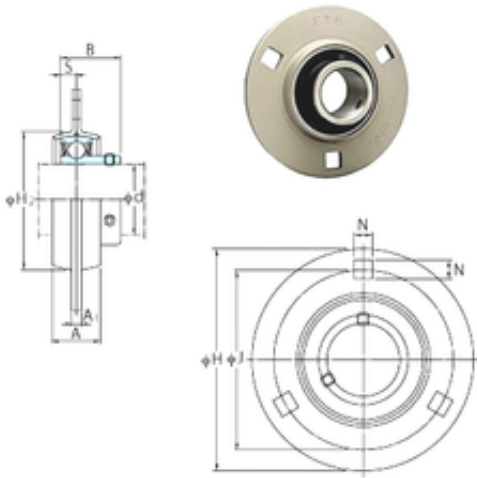




NTA PRECISION AXLE CORP.

FYH SBPF206-20 bearing units

Bearing No. SBPF206-20



SBPF206-20 Bearing 2D drawings and 3D CAD models

Bore Diameter	30 mm
Width	30 mm
d	30 mm
A	19 mm
A1	5,2 mm
B	30 mm
H	113 mm
H2	71 mm
J	90,5 mm
N	11 mm
S	8 mm
Bolt (G)	M10
Weight	0,62 Kg
Basic dynamic load rating (C)	19,5 kN
Basic static load rating (C0)	11,3 kN