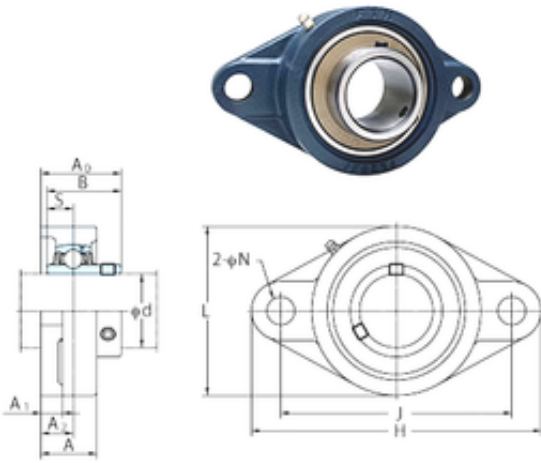




NTA PRECISION AXLE CORP.

FYH UCFL212 bearing units

Bearing No. UCFL212



UCFL212 Bearing 2D drawings and 3D CAD models

Bore Diameter	60 mm
d	60 mm
A0	68,7 mm
A	48 mm
A1	18 mm
B	65,1 mm
H	250 mm
J	202 mm
L	140 mm
N	23 mm
S	25,4 mm
Bolt (G)	14,4
Bolt (G)	M20
A2	29 mm
Weight	4,2 Kg
Basic static load rating (C0)	52,4 kN
Category	Mounted Units & Inserts
Inventory	0.0
Manufacturer Name	FYH BEARING UNITS
Minimum Buy Quantity	N/A
Weight / Kilogram	0
Product Group	M06110