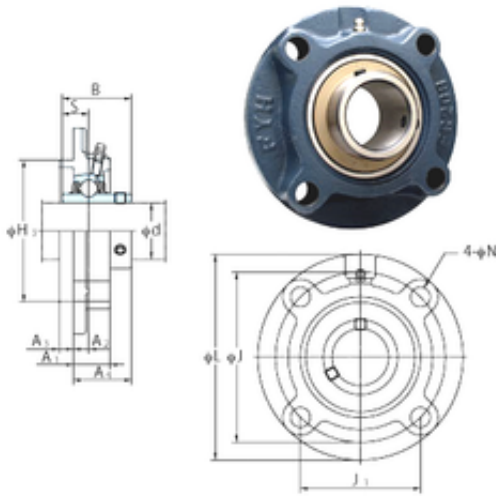




# NTA PRECISION AXLE CORP.

## FYH UCFCX13-40 bearing units

Bearing No. UCFCX13-40



UCFCX13-40 Bearing 2D drawings and 3D CAD models

Bore Diameter	63,5 mm
d	63,5 mm
H3	140 mm
A4	55,4 mm
A1	33 mm
B	74,6 mm
J	165 mm
L	194 mm
N	16 mm
S	30,2 mm
Bolt (G)	M14
A2	11 mm
A3	20 mm
J1	116,7 mm
Weight	5,7 Kg
Basic dynamic load rating (C)	62,2 kN
Basic static load rating (C0)	44,1 kN