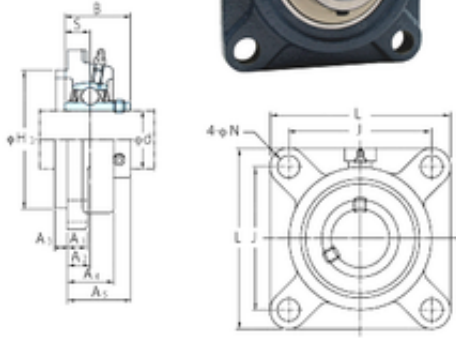




NTA PRECISION AXLE CORP.

FYH UCFS308-24 bearing units

Bearing No. UCFS308-24



UCFS308-24 Bearing 2D drawings and 3D CAD models

| | |
|-------------------------------|---------|
| Bore Diameter | 38,1 mm |
| d | 38,1 mm |
| H3 | 115 mm |
| A4 | 30 mm |
| A5 | 46 mm |
| A1 | 17 mm |
| B | 52 mm |
| J | 112 mm |
| L | 150 mm |
| N | 19 mm |
| S | 19 mm |
| Bolt (G) | M16 |
| A2 | 13 mm |
| A3 | 10 mm |
| Weight | 3,4 Kg |
| Basic dynamic load rating (C) | 40,7 kN |
| Basic static load rating (C0) | 24 kN |