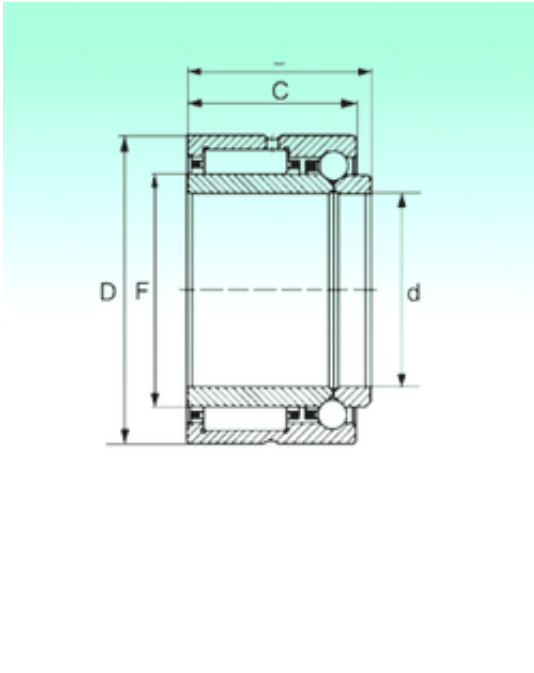




NTA PRECISION AXLE CORP.



NKIB 5911 Bearing 2D drawings and 3D CAD models

55 mm x 80 mm x 38 mm NBS NKIB 5911 complex bearings

Bearing No. NKIB 5911

| | |
|--------------------------------|-------------|
| Size | 55x80x38 mm |
| Bore Diameter | 55 mm |
| Outer Diameter | 80 mm |
| Width | 38 mm |
| d | 55 mm |
| F | 63 mm |
| D | 80 mm |
| B | 38 mm |
| C | 34 mm |
| Weight | 0,555 Kg |
| Dynamic load rating radial (C) | 55,1 kN |
| Dynamic load rating axial (C) | 9,215 kN |
| Static load rating radial (C0) | 95 kN |
| Static load rating axial (C0) | 18,24 kN |